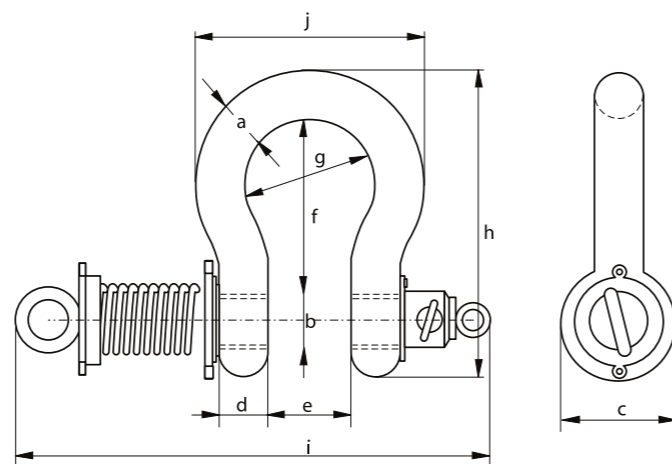
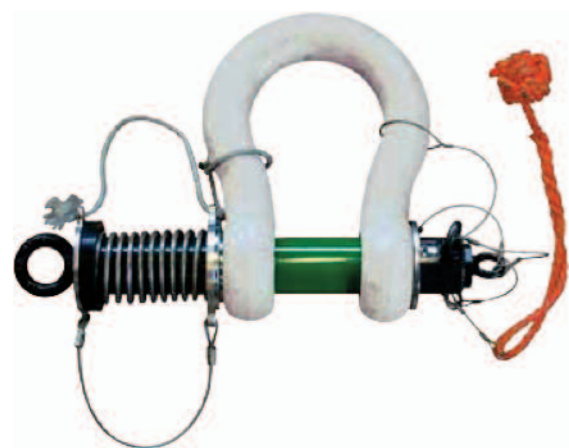


#### 4.05 Green Pin® P-5367 ROV Spring Release Polar Shackles Spring loaded

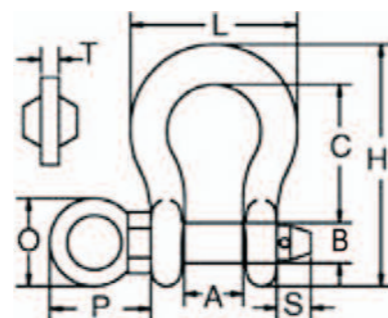
Part No.	WLL	Diameter bow	Diameter pin	Diameter eye	Width eye	Width inside	Length inside	Width bow	Length	Length bolt	Width	Weight each
	Ton	mm	mm	mm	mm	mm	mm	mm	mm	mm	mm	
	A	B	C	D	E	F	G	H	I	J		
	12	32	35	72	32	51	115	83	201	262	147	6
	13.5	35	38	80	35	57	133	92	227	275	162	7
	17	38	42	88	38	60	146	99	249	330	175	14
	25	45	50	103	45	74	178	126	300	352	216	16
	35	50	57	116	50	83	197	138	334	373	238	21
	42.5	57	65	130	57	95	222	160	377	442	274	32
	55	65	70	145	65	105	260	180	433	470	310	43
	85	75	83	162	73	127	329	190	527	579	340	71
	120	95	95	208	91	147	399	238	646	674	428	131
	150	105	108	238	102	169	410	275	688	699	485	171

Supplied fully assembled with single pull release system.  
Double safety possible to prevent accidental load release.



#### 4.06 Crosby G-209R Subsea Shackles

Part no.	L-209R stock no.	Working load limit ton*	Weight (each) kg	Dimensions mm									
				A	B	C	H	L	O	P	S	T	
				+/- 6.35									
SCG209R6.5	1020872	6-1/2	1.69	36.6	25.4	84	148	102	50	58	17	10	
SCG209R8.5	1020902	8-1/2	2.59	42.9	28.7	95.5	167	119	50	61	18	10	
SCG209R9.5	1020932	9-1/2	3.77	46	31.8	108	190	131	70	83	18	12	
SCG209R12	1020952	12	5.02	51.5	35.1	119	210	146	70	84	23	12	
SCG209R13.5	1020972	13-1/2	6.65	57	38.1	133	233	162	75	91	23	15	
SCG209R17	1020992	17	8.58	60.5	41.4	146	254	175	75	93	24	15	
SCG209R25	1021102	25	14.1	73	51	178	313	225	90	114	29	17.5	
SCG209R35	1021125	35	21.4	82.5	57	197	348	253	106	132	30	20	
SCG209R55	1021158	55	42.8	105	70	267	453	327	120	145	45	25	



\*Minimum ultimate load is 5 times the working load limit.

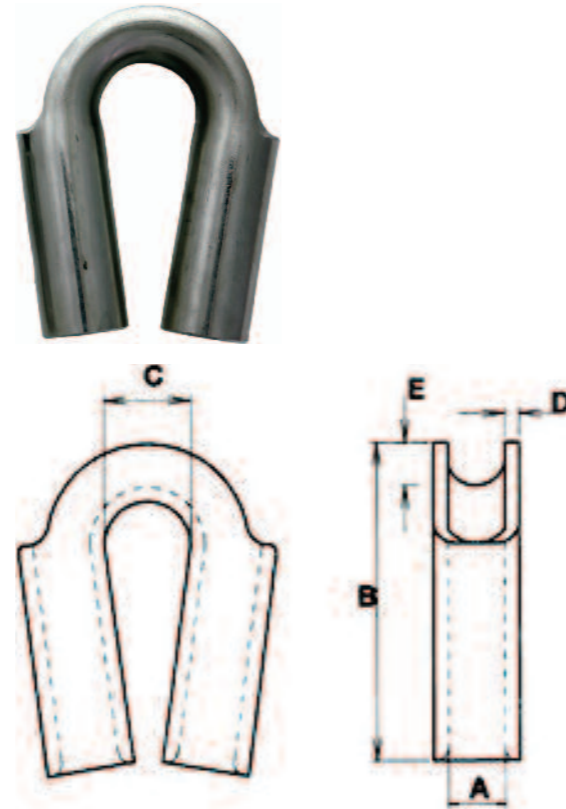
# Rigging Accessories



### 5.01 Wire Thimble Stainless steel

Part no.	Weight (each) kg	For wire max. mm	Dimensions mm				
			A	B	C	D	E
RAMG815	0.39	12	15	91	27	5	9
RAMG819	0.79	16	19	113	31	5	11
RAMG824	1.04	21	24	136	46	5	15
RAMG827	1.29	24	27	142	45	5	15
RAMG831	1.84	28	31	163	48	7	19
RAMG839	1.68	35	39	179	60	5.5	20
RAMG848	2.71	44	48	220	74	5.5	32
RAMG860	5.75	54	60	260	81	8.5	38

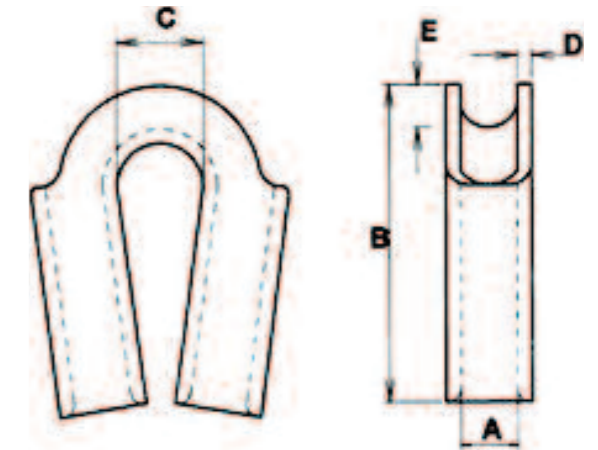
Other sizes available upon request.



### 5.03 Wire Thimble Blue painted steel

Part no.	Weight each kg	For wire max. mm	Dimensions mm				
			A	B	C	D	E
RAMG712	0.21	10	12	84	23	4	8
RAMG715	0.40	12	15	95	27	5	10
RAMG717	0.48	14	17	100	27	5	10
RAMG719	0.60	16	19	112	32	5	12
RAMG722	0.71	18	22	125	35	5	15
RAMG725	1.21	22	25	150	45	6.3	16
RAMG728	1.60	24	28	157	45	7	16
RAMG730	1.91	25	30	170	47	7	18
RAMG735	2.36	32	35	190	60	7	22
RAMG740	3.46	36	40	212	70	9	36
RAMG745	3.54	38	45	228	70	7	27

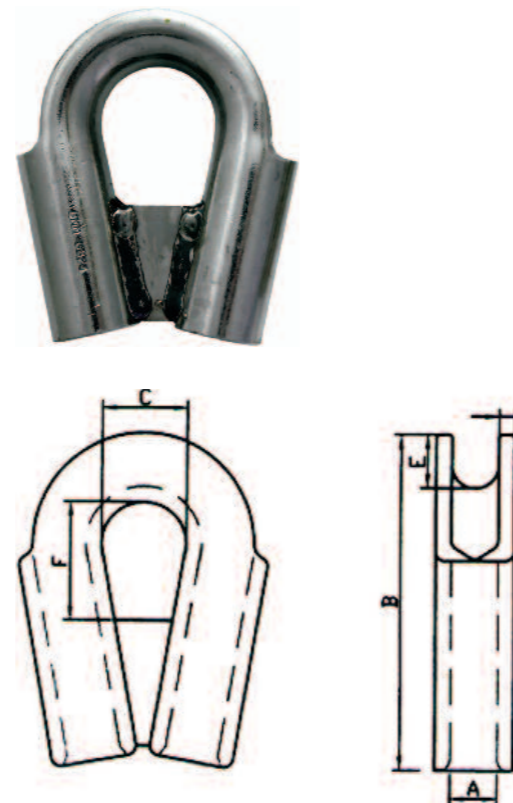
Other sizes available upon request. Also available galvanised.



### 5.02 Wire Thimble Stainless steel with gusset

Part no.	Weight (each) kg	For wire max. mm	Dimensions mm					
			A	B	C	D	E	F
RAMG815K	0.41	12	15	91	27	5	9	32
RAMG819K	0.62	16	19	113	31	5	11	46
RAMG824K	1.11	21	24	136	46	5	15	57
RAMG827K	1.36	24	27	142	45	5	15	62
RAMG831K	1.92	28	31	163	48	7	19	66
RAMG839K	1.79	35	39	179	60	5.5	20	83
RAMG848K	2.90	44	48	220	74	5.5	32	82
RAMG890K	5.90	54	60	260	81	8.5	38	90

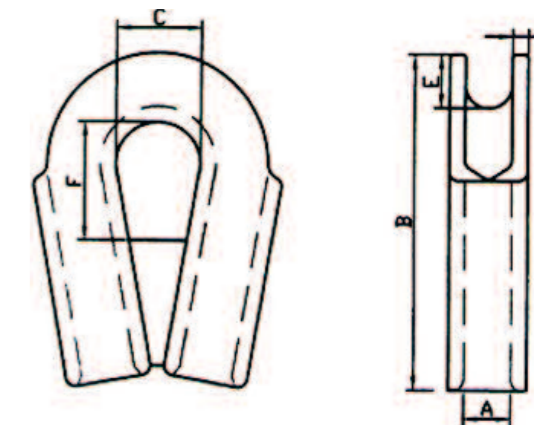
Other sizes available upon request.



### 5.04 Wire Thimble Blue painted steel with gusset

Part no.	Weight (each) kg	For wire max. mm	Dimensions mm					
			A	B	C	D	E	F
RAMG712K	0.36	10	12	84	23	4	8	24
RAMG715K	0.52	12	15	95	27	5	10	31
RAMG717K	0.55	14	17	100	27	5	10	38
RAMG719K	0.65	16	19	112	32	5	12	46
RAMG722K	0.90	18	22	125	35	5	15	47
RAMG725K	1.26	22	25	150	45	6.3	16	61
RAMG728K	1.64	24	28	157	45	7	16	56
RAMG730K	2.02	25	30	170	47	7	18	68
RAMG735K	2.50	32	35	190	60	7	22	73
RAMG740K	3.70	36	40	212	70	9	36	80
RAMG745K	3.71	38	45	228	70	7	27	94

Other sizes available upon request. Also available galvanised.



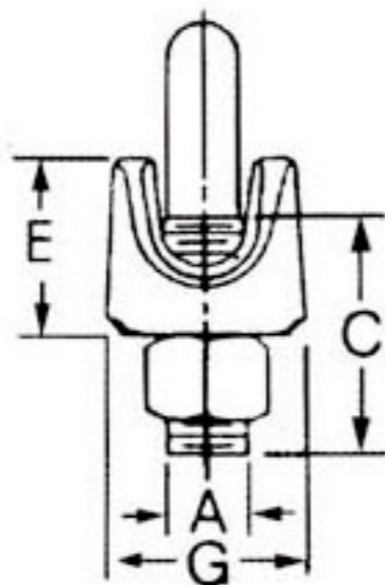
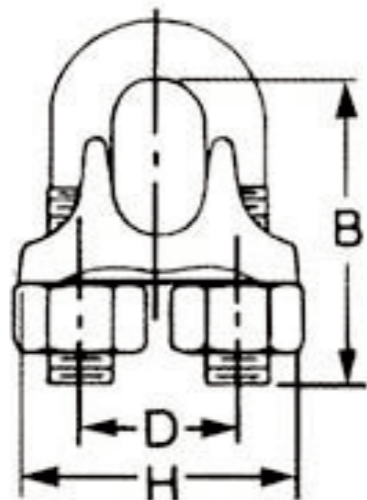
### 5.05 Thimbles Hot dip galvanized

Part no.	Weight kg/100	For wire max. mm	Groove mm	Inside length mm	Overall length inch
RAM10GT	6	9	10	38	2 1/4
RAM12GT	9	10-11	12	45	2 1/2
RAM14GT	12	12-13	14	51	3
RAM16GT	18	15	16	58	3 1/4
RAM18GT	31	16	18	64	3 3/4
RAM20GT	35	18	20	72	4
RAM22GT	42	20	22	80	4 1/2
RAM24GT	68	22	24	90	5
RAM26GT	74	24	26	99	5 1/2
RAM28GT	95	26	28	112	6



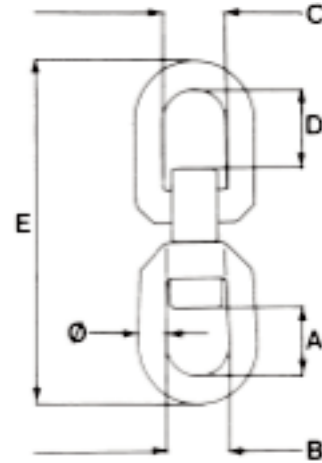
### 5.06 Crosby G-450 Wire Rope Clip

Part no.	Wire rope diameter		Standard package quantity	Weight per 100 kg	Dimensions mm							
	mm	inch			A	B	C	D	E	F	G	H
RAC12WRC	12-13	1/2	50	36.3	12.7	47.8	25.4	30.2	28.7	22.4	48.5	58
RAC15WRC	14-15	9/16	50	49.5	14.2	57	31.8	33.3	31	23.9	52.5	63.5
RAC16WRC	16	5/8	50	49.9	14.2	60.5	31.8	33.3	34	23.9	52.5	63.5
RAC19WRC	18-20	3/4	25	64	15.7	70	36.6	38.1	35.8	26.9	57	72
RAC22WRC	22	7/8	25	96	19.1	79	41.1	44.5	40.4	31.8	62	80.5
RAC25WRC	24-26	1	10	114	19.1	89	46	47.8	45.2	31.8	67	88
RAC29WRC	28-30	1 1/8	10	128	19.1	98.5	51	51	48.5	31.8	71.5	91
RAC33WRC	32-34	1 1/4	10	199	22.4	108	54	59.4	55.5	36.6	79.5	105
RAC36WRC	36	1 3/8	10	200	22.4	118	58.5	59.4	58.5	36.6	79.5	106



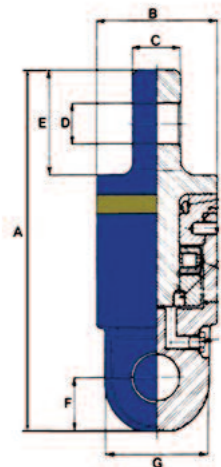
### 5.07 Swivels Stainless steel flex

Part no.	Size	= $\phi$	Weight kg	SWL 5:1 ton	Dimensions mm				
					A	B	C	D	E
RAMA12SSF	1/2	13	0.56	1.6	30	28	28	34	160
RAMA16SSF	5/8	16	1.2	3.2	41	38	37	48	200
RAMA19SSF	3/4	19	2	4.7	44	40	40	54	235
RAMA22SSF	7/8	22	2.9	6.3	44	40	40	55	235
RAMA25SSF	1	25	4.7	8.3	55	50	45	70	320
RAMA28SSF	1 1/8	28	6.14	10.4	55	50	50	80	320
RAMA32SSF	1 1/4	32	9.2	12	55	55	54	93	360
RAMA38SSF	1 1/2	38	14.6	18	62	58	60	110	410
RAMA45SSF	1 3/4	45	24	28	75	70	70	115	515



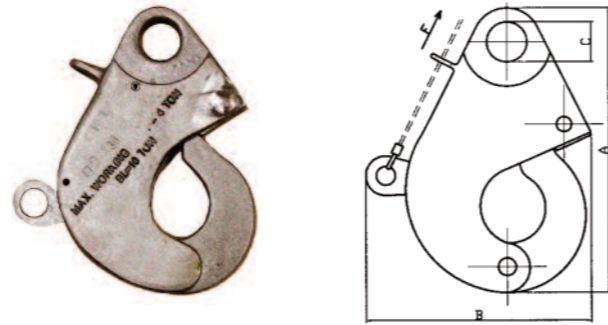
### 5.08 Swivels Steel tapered roller thrust bearing

Part no.	Weight kg	SWL 5:1 ton	Dimensions mm						
			A	B	C	D	E	F	G
RAMA401	0.6	1	126	43	16	15	36	18	35
RAMA402	1.5	2	157	54	20	20	45	22	45
RAMA403	2.75	3	189	65	27	26	55	28	55
RAMA405	3.9	5	220	70	33	30	64	33	60
RAMA408	6.7	8	250	85	42	34	73	39	75
RAMA412	106	12	295	95	50	41	86	45	86
RAMA417	18.5	27	360	120	57	45	113	55	108
RAMA422	29.7	22	435	131	60	52	118	63	118
RAMA432	45	32	500	160	65	59	132	73	140
RAMA445	130	45	700	220	102	74	190	100	200



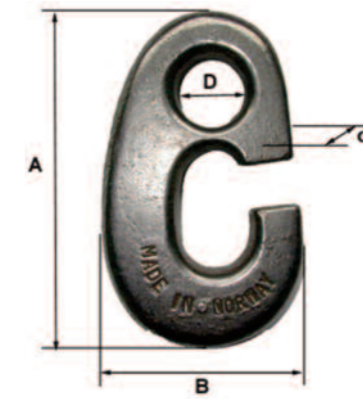
### 5.09 Quick release hook

Part no.	Weight kg	SWL 5:1 ton	Dimensions mm			
			A	B	C	F
RAMBOSSRH2T	1.6	2	165	138	23	V. 500 kg = 10 kg V. 900 kg = 13 kg



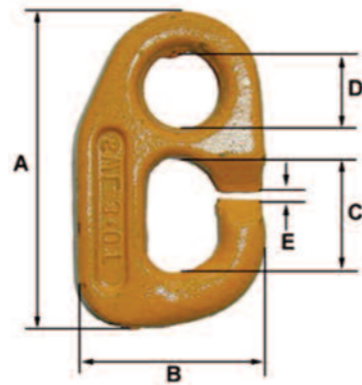
### 5.12 Boss G-hook Stainless steel

Part no.	Weight kg	SWL 5:1 ton	Size inch	Dimensions mm			
				A	B	C	D
RAMGH3S	0.9	3	1	122	76	25	23
RAMGH6S	2.7	6	1 1/4	178	104	33	35



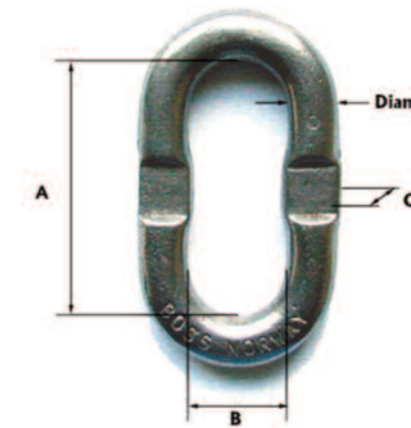
### 5.10 Viking link High tensile steel

Part no.	Weight kg	SWL 5:1 ton	Dimensions mm				
			A	B	C	D	E
RAMDV30	0.7	3	115	70	42	30	2.5
RAMDV50	1.1	5	130	80	42	36	2.5
RAMDV80	1.6	8	145	90	42	42	2.5



### 5.13 Boss recessed link Stainless steel

Part no.	Weight kg	SWL 5:1 ton	Size inch	Dimensions mm			
				Ø	A	B	C
RAML3S	0.8	3	7/8	22	98	38	16
RAML6S	1.5	6	1	25	125	51	22



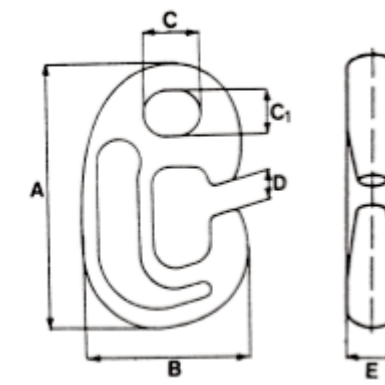
### 5.11 Boss link Stainless steel

Part no.	Weight kg	SWL 5:1 ton	Dimensions mm			
			A	B	C	D
RAMDL26S	1.65	2.4	150	95	38	28
RAMDL27S	3.6	5	212	132	58	31
RAMDL28S	9.6	12	260	170	60	49



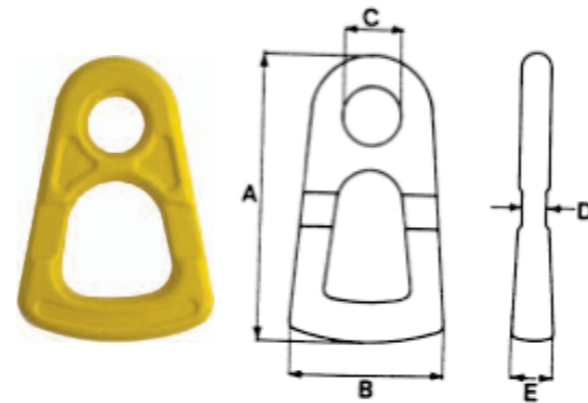
### 5.14 BMM G-hook High tensile steel

Part no.	Weight kg	SWL 5:1 ton	Dimensions mm					
			A	B	C	C1	D	E
RAMEVG03	0.65	3	115	70	30	30	17	20
RAMEVG05	1.2	5	132	82	38	38	117	26
RAMEVG08	1.9	8	153	97	42	42	18	30
RAMEVG10	3.3	10	180	115	40	31	18	35
RAMEVG15	6.05	15	215	136	50	40	18	45
RAMEVG20	8.4	20	240	155	60	50	27	50



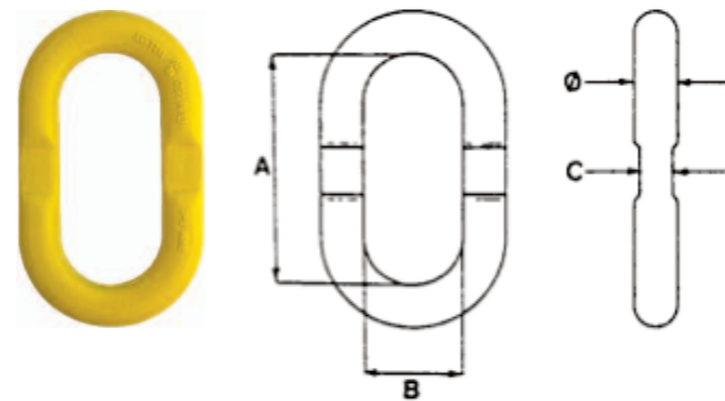
### 5.15 BMM recessed link High tensile steel

Part no.	Weight kg	SWL 5:1 ton	Dimensions mm					
			A	B	C	C1	D	E
RAMEVR08	1.4	8	175	97	38	15	22	1.4
RAMEVR10	2.5	10	205	140	40	17	25	2.5



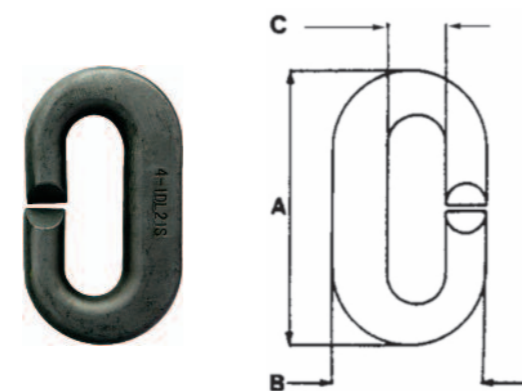
### 5.16 BMM master link

Part no.	Weight kg	SWL 5:1 ton	Dimensions mm			
			Ø	A	B	C
RAMEVM100	0.8	10	21	100	36	14
RAMEVM120	1.7	12	25	122	48	16
RAMEVM150	2.8	15	30	170	75	17
RAMEVM200	4.2	20	34	185	85	25



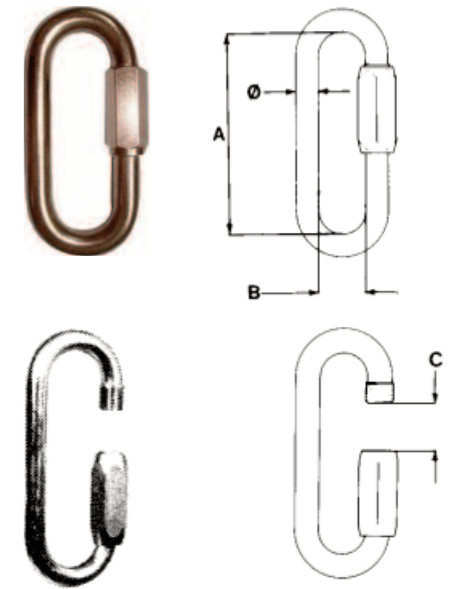
### 5.17 Boss split link Stainless steel

Part no.	Weight kg	SWL 5:1 ton	Dimensions mm		
			A	B	C
RAMDL18S	0.17	0.2	78	45	18
RAMDL19S	0.27	0.4	79	50	24
RAMDL20S	0.3	0.5	82	55	24
RAMDL21S	0.7	1.4	108	63	25
RAMDL22S	0.6	1.3	106	68	33



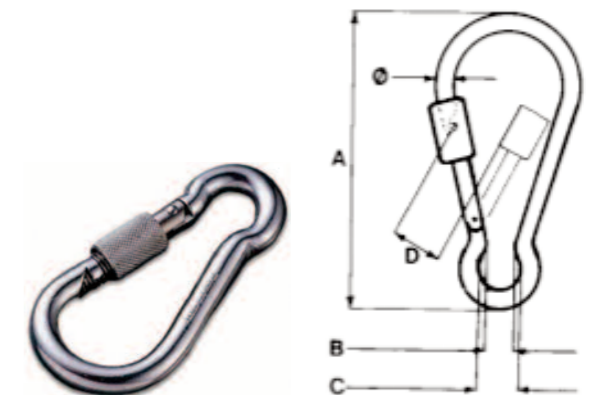
### 5.18 Quick Links Stainless steel flex. Also available galvanised

Part no.	Weight kg	SWL 5:1 ton	Size =Ø mm	Dimensions mm			Number box stk
				A	B	C	
RAMDQ06SSOK	3.5	0.65	6	45	14	7.5	100
RAMDQ06SSOL	4.2	0.58	6	59	14	15	100
RAMDQ08SSOK	7.7	1.10	8	58	17	10	100
RAMDQ08SSOL	9.3	0.98	8	72	17	18	50
RAMDQ10SSO	16	1.6	10	85	20	20	50
RAMDQ12SSO	27	2.2	12	100	23	23	25
RAMDQ14SSO	42	3.1	14	115	27	27	10
RAMDQ16SSO	75	4	16	150	38	28	1



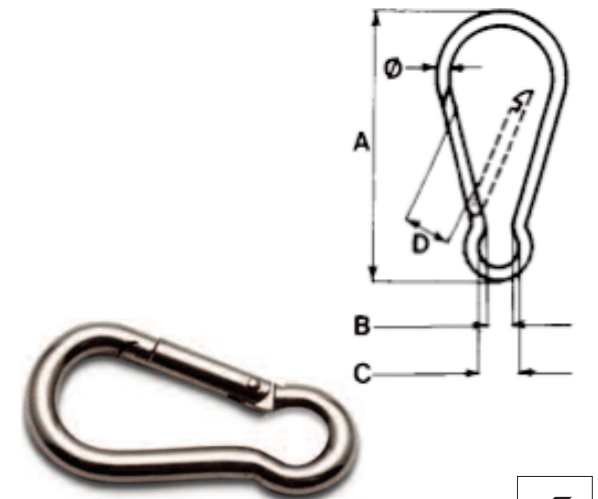
### 5.19 Carabine Hooks Stainless steel lock screw. Also available galvanised

Part no.	Weight kg/100	SWL 5:1 ton	Size =Ø mm	Dimensions mm			
				A	B	C	D
RAMDC08SSS	7.2	0.7	8	80	9	13	8
RAMDC10SSS	13.2	1.1	10	100	12	16	10
RAMDC11SSS	19.1	1.3	11	120	13	19	15



### 5.20 Carabine Hooks Stainless steel, also available galvanised

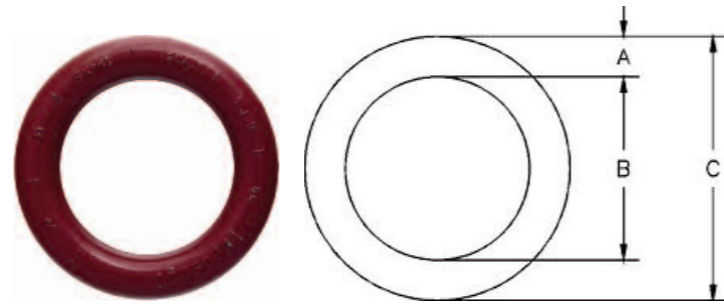
Part no.	Weight kg/100	SWL 5:1 ton	Size =Ø mm	Dimensions mm			
				A	B	C	D
RAMDC05SS	1.9	0.1	5	50	6	10	8
RAMDC06SS	2.8	0.12	6	60	8	11	9
RAMDC07SS	4.4	0.18	7	70	8	13	9
RAMDC08SS	6.6	0.23	8	80	8	13	9
RAMDC10SS	13	0.35	10	100	10	16	12
RAMDC11SS	19	0.45	11	120	11	18	16
RAMDC12SS	25.6	0.57	12	140	13	20	19



### 5.21 Crosby S-643 Weldless Rings

- Forged carbon steel - quenched and tempered
- Self-coloured

Part no.	Size A mm	Weight (each) kg	WLL single pull ton*	Dimensions mm	
				B	C
BAC3.2WR	22.2 x 102	1.23	3.27	102	146
BAC2.5WR	22.2 x 140	1.57	2.54	140	184
BAC4.9WR	25.4 x 102	1.67	4.90	102	152
BAC4.7WR	28.6 x 152	2.99	4.72	152	210
BAC7.7WR	31.8 x 127	3.09	7.71	127	191
BAC8.6WR	34.9 x 152	4.59	8.62	152	222

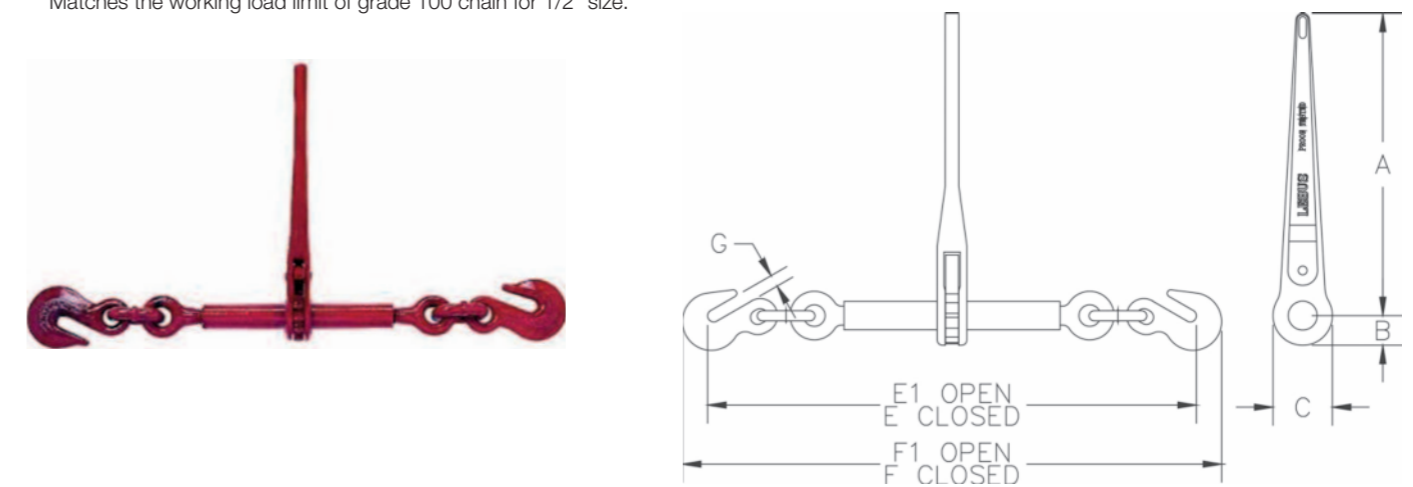


\*Ultimate load is 6 times the working load limit.

### 5.23 Crosby L140 Load Binder with Ratchet & Hooks

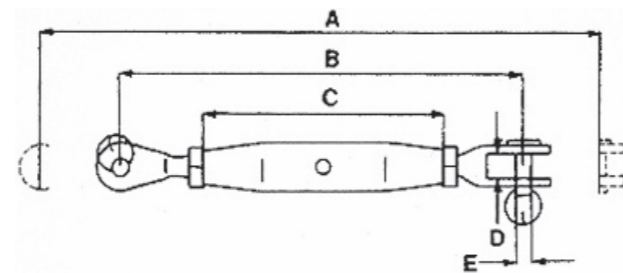
Part no.	Model	Min.-Max. chain size mm	Working load limit ton*	Proof load kN	Weight (each) kg	Handle length mm	Barrel length mm	Take up mm	Dimensions mm							
									A	B	C	E	E1	F	F1	G
BAC8-10LB	R-7**	8-10	4	79	5.49	356	254	203	356	35.1	70	583	786	638	842	12.7
BAC10-13LB	R-A**	10-13	6.8	134	6.66	356	254	203	356	35.1	70	641	845	702	905	16
BAC13-16LB	R-C***	13-16	7.26	143	6.6	356	254	203	356	35.1	70	670	873	748	951	18.3

- \*Ultimate load is 3 times the working load limit.
- \*\*Matches the working load limit of grade 100 chain for both sizes.
- \*\*\*Matches the working load limit of grade 100 chain for 1/2" size.



### 5.22 Rigging Screws Galvanised

Part no.	Weight kg/100	SWL 5:1 kg	Size =Ø	Dimensions mm				
				A	B	C	D	E
RAM06RS	0.1	200	M06	225	160	100	7	5
RAM08RS	0.1	320	M08	260	182	110	9	6
RAM10RS	0.28	500	M10	295	205	125	10	8
RAM12RS	0.66	700	M12	465	315	195	13	10
RAM16RS	1.26	1200	M16	550	380	230	17	12
RAM20RS	2.2	1500	M20	670	460	270	20	16
RAM22RS	3.25	2200	M22	745	515	295	25	20
RAM24RS	4.60	3200	M24	820	565	325	28	22



### 5.24 Industrial Fasteners

Stainless steel bolts and nuts

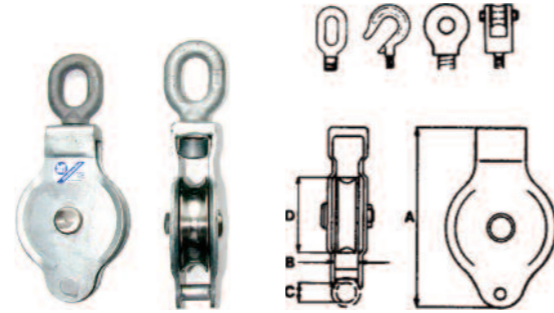
Part no.	Description		DIN	ISO
RAM1690B	bolt M 16 x 90 mm A4 hex head	partly threaded	-	4014
RAM60100B	bolt M 16 x 100 mm A4 hex head	partly threaded	-	4014
RAM2080B	bolt M 20 x 80 mm A4 hex head	partly threaded	-	4014
RAM290B	bolt M 20 x 90 mm A4 hex head	partly threaded	-	4014
RAM20100B	bolt M 20 x 100 mm A4 hex head	partly threaded	-	4014
RAM20110B	bolt M 20 x 110 mm A4 hex head	partly threaded	-	4014
RAM20120B	bolt M 20 x 120 mm A4 hex head	partly threaded	-	4014
RAM20160B	bolt M 20 x 160 mm A4 hex head	partly threaded	-	4014
RAM30100B	bolt M 30 x 100 mm A4 hex head	partly threaded	-	4014
RAM4NNM16	nut, A4 stainless nylock M16	with wax	985	-
RAM4NNM20	nut, A4 stainless nylock M20	with wax	985	-
RAM4NNM30	nut, A4 stainless nylock M30	with wax	985	-



### 5.25 Single sheave block, kt-type Galvanised

Part no.	Type	Weight (each) kg	WLL SF 5:1 ton	Dimensions mm			
				A	B	C	D
RAMKT1	kt 1-1ecgb	1.7	1	102	146	16	80
RAMKT2	kt 2-1ecgb	3.1	2	195	24	22	110
RAMKT3	kt 3-1ecgb	6.4	3	257	28	31	150
RAMKT4	kt 4-1ecgb	11.1	4.4	330	35	40	185
RAMKT6	kt 6-1ecgb	17	6	365	42	40	210

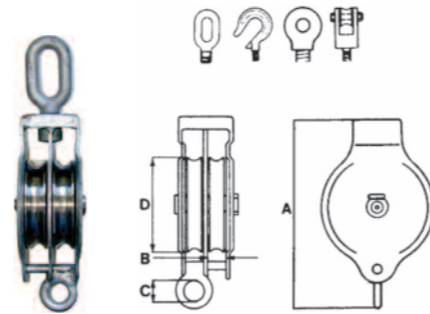
1 = Ball bearing, KT1, KT2, sealed ball bearings, KT3 KT4, KT6 greasable ball bearings  
 O = Bronze bushing  
 e = Swivel eye  
 K = Swivel hook  
 F = Swivel fork, KT4, KT6  
 S = Swivel shackle eye, KT4, KT6  
 B = Becket  
 C = Certificate



### 5.26 Double sheave block, kt-type Galvanised

Part no.	Type	Weight (each) kg	WLL SF 5:1 ton	Dimensions mm			
				A	B	C	D
RAMKT1D	kt 1d-1ecgb	3.1	1	187	22	16	80
RAMKT2D	kt 2d-1ecgb	5.2	2	224	24	22	110
RAMKT3D	kt 3d-1ecgb	6.4	3	296	28	31	150
RAMKT4D	kt 4d-1ecgb	11	4	385	35	40	185
RAMKT6D	kt 6d-1ecgb	19	6	425	42	40	210

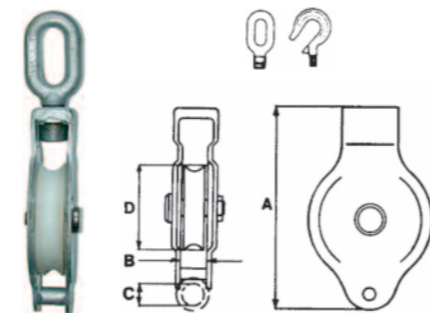
1 = Ball bearing, KT1, KT2, sealed ball bearings, KT3 KT4, KT6 greasable ball bearings  
 O = Bronze bushing  
 e = Swivel eye  
 K = Swivel hook  
 F = Swivel fork, KT4, KT6  
 S = Swivel shackle eye, KT4, KT6  
 B = Becket  
 C = Certificate



### 5.27 Single nylon sheave block, kt-type Galvanised

Part no.	Type	Weight (each) kg	WLL SF 5:1 ton	Dimensions mm			
				A	B	C	D
RAMKT1N	kt 1-necgb	1.3	1	163	22	16	80
RAMKT2N	kt 2-necgb	2.1	2	195	24	22	110
RAMKT3N	kt 3-necgb	4.1	3	257	28	31	150

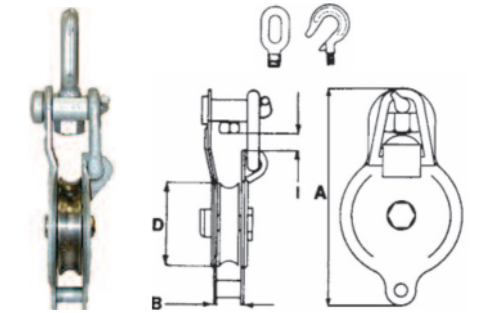
e = Swivel eye  
 k = Swivel hook  
 b = Becket  
 c = Certificate



### 5.28 Snatch block, kS-type Galvanised

Part no.	Type	Weight (each) kg	WLL SF 5:1 ton	Dimensions mm			
				A	B	D	I
RAMKS2	kS2-1ecg	3.7	2	225	24	110	18
RAMKS3	kS3-1ecg	7.5	3	300	28	150	18
RAMKS4	kS4-1ecg	13.5	4	330	35	185	22
RAMKS4	kS6-1ecg	19.4	6	378	41	210	24

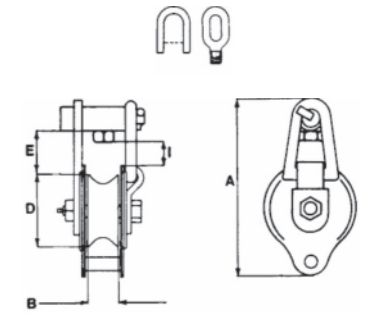
o = Bronze bearing in sheave  
 e = Swivel eye  
 g = Galvanised  
 1 = Ball bearing in sheave  
 c = Tested/certified  
 h = Hardened sheave



### 5.29 Snatch block, kS-type medium wide Galvanised

Part no.	Type	Weight (each) kg	WLL SF 5:1 ton	Dimensions mm				
				A	B	D	E	I
RAMKS40	kS-40-	7.5	3.5		45	110	45	38
RAMKS50	kS-50-	15.2	4.6		60	150	80	60
RAMKS60	kS-60-	24	6		60	215	50	50

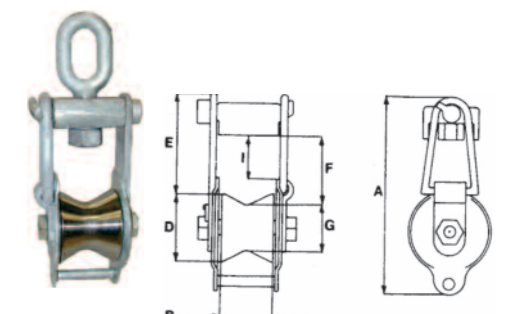
o = Bronze bearing in sheave  
 e = Swivel eye  
 g = Galvanised  
 1 = Ball bearing in sheave  
 c = Tested/certified  
 h = Hardened sheave



### 5.30 Snatch block, kS-type wide Galvanised

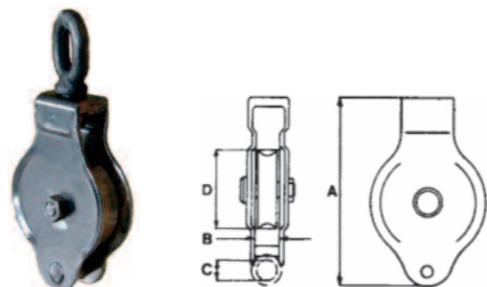
Part no.	Type	Weight (each) kg	WLL SF 5:1 ton	Dimensions mm						
				A	B	D	E	F	G	I
RAMKS110	kS 110-1 ecg	10	3	255	85	110	68	85	70	45
RAMKS150	kS 150-1 ecg	19.2	5	330	85	150	75	85	110	55
RAMKS215	kS-215-1	39.5	8	425	100	215	95	100	170	63

kS 215-1 eP - available only with split at locking device.  
 o = Bronze bearing in sheave  
 e = Swivel eye  
 g = Galvanised  
 1 = Ball bearing in sheave  
 c = Tested/certified



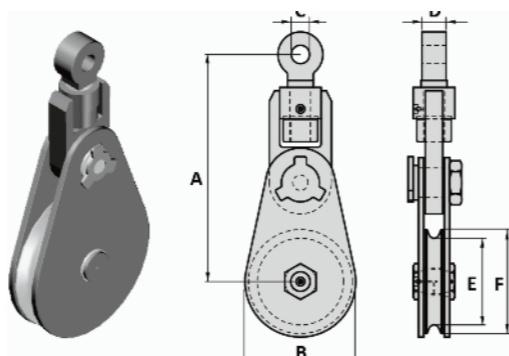
5.31 Single sheave block, kt-type Stainless steel

Part no.	Type	Weight (each) kg	WLL SF 5:1 ton	Dimensions mm			
				A	B	C	D
RAMKT1SS	kt 1-1eSSc	1.7	1	163	22	16	80
RAMKT2SS	kt 2-1eSSc	3.2	2	195	24	22	110



5.32 GN Type GL3 Snatch Block

Part no.	WLL eye pull ton	WLL line pull ton	Rope size inch	Rope size mm	Weight kg	Dimensions mm						
						A	B	C	D	E	F	
<b>Light Type</b>												
RAGNBL33.25	3.25	1.62	3/8	8-10	188	82	20	26	56	76	3	
RAGNBL34.75	4.75	2.37	1/2	11-14	250	122	24	30	86	114	8	
RAGNBL38.5	8.5	4.25	3/4	18-20	356	162	30	40	112	152	17	
RAGNBL38.523KG	8.5	4.25	3/4	18-20	381	216	30	40	163	203	23	
RAGNBL39.5	9.5	4.75	3/4	18-20	406	270	34	44	214	254	28	
RAGNBL39.534KG	9.5	4.75	3/4	18-20	446	320	34	44	265	305	34	
RAGNBL312	12	6	3/4	18-20	516	396	37	48	315	365	43	
RAGNBL313.5	13.5	6.75	7/8	22-25	645	430	42	54	356	406	100	
RAGNBL317	17	8.5	1	22-25	690	490	44	57	408	458	120	
<b>Heavy Type</b>												
RAGNBL31749KG	17	8.5	1	22-25	490	160	44	57	110	150	49	
RAGNBL32580KG	25	12.5	1-1/8	25-28	602	220	53	70	150	200	80	
RAGNBL32593KG	25	12.5	1-1/4	28-32	632	270	53	70	190	250	93	
RAGNBL325109KG	25	12.5	1-1/4	28-32	662	320	53	70	240	300	109	
RAGNBL325116KG	25	12.5	1-1/4	28-32	692	370	53	70	290	350	116	
RAGNBL335	35	17.5	1-1/5	32-38	835	470	60	80	380	450	211	
RAGNBL335238KG	35	17.5	1-1/5	32-38	865	520	60	80	430	500	238	
RAGNBL335284KG	35	17.5	1-1/5	32-38	925	625	60	80	535	605	284	
RAGNBL355	55	27.5	1-5/8	38-42	1040	625	73	100	520	605	460	
RAGNBL385	85	42.5	1-7/8	44-48	1212	780	85	120	630	750	890	
RAGNBL3120	120	60	2	50-55	1327	880	100	140	740	860	1200	
RAGNBL3150	150	75	2-1/2	60-70	1427	930	113	160	760	910	1530	
RAGNBL3200	200	100	3	75-85	1630	1080	135	170	870	1060	2285	
RAGNBL3250	250	125	3-1/2	88-93	1785	1190	145	190	970	1170	3015	



# Shackles

