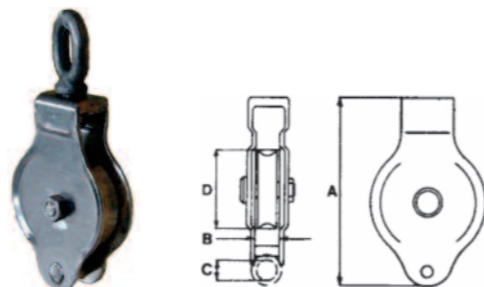


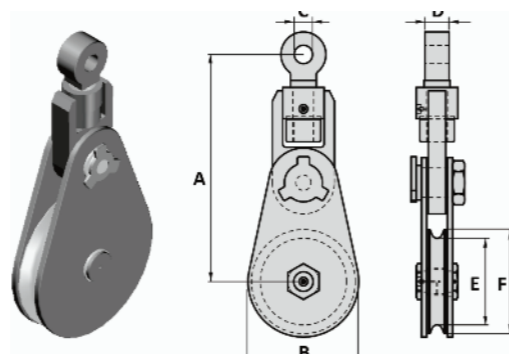
5.31 Single sheave block, kt-type Stainless steel

Part no.	Type	Weight (each) kg	WLL SF 5:1 ton	Dimensions mm			
				A	B	C	D
RAMKT1SS	kt 1-1eSSc	1.7	1	163	22	16	80
RAMKT2SS	kt 2-1eSSc	3.2	2	195	24	22	110

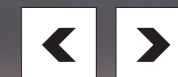


5.32 GN Type GL3 Snatch Block

Part no.	WLL eye pull ton	WLL line pull ton	Rope size inch	Rope size mm	Weight kg	Dimensions mm						
						A	B	C	D	E	F	
Light Type												
RAGNBL33.25	3.25	1.62	3/8	8-10	188	82	20	26	56	76	3	
RAGNBL34.75	4.75	2.37	1/2	11-14	250	122	24	30	86	114	8	
RAGNBL38.5	8.5	4.25	3/4	18-20	356	162	30	40	112	152	17	
RAGNBL38.523KG	8.5	4.25	3/4	18-20	381	216	30	40	163	203	23	
RAGNBL39.5	9.5	4.75	3/4	18-20	406	270	34	44	214	254	28	
RAGNBL39.534KG	9.5	4.75	3/4	18-20	446	320	34	44	265	305	34	
RAGNBL312	12	6	3/4	18-20	516	396	37	48	315	365	43	
RAGNBL313.5	13.5	6.75	7/8	22-25	645	430	42	54	356	406	100	
RAGNBL317	17	8.5	1	22-25	690	490	44	57	408	458	120	
Heavy Type												
RAGNBL31749KG	17	8.5	1	22-25	490	160	44	57	110	150	49	
RAGNBL32580KG	25	12.5	1-1/8	25-28	602	220	53	70	150	200	80	
RAGNBL32593KG	25	12.5	1-1/4	28-32	632	270	53	70	190	250	93	
RAGNBL325109KG	25	12.5	1-1/4	28-32	662	320	53	70	240	300	109	
RAGNBL325116KG	25	12.5	1-1/4	28-32	692	370	53	70	290	350	116	
RAGNBL335	35	17.5	1-1/5	32-38	835	470	60	80	380	450	211	
RAGNBL335238KG	35	17.5	1-1/5	32-38	865	520	60	80	430	500	238	
RAGNBL335284KG	35	17.5	1-1/5	32-38	925	625	60	80	535	605	284	
RAGNBL355	55	27.5	1-5/8	38-42	1040	625	73	100	520	605	460	
RAGNBL385	85	42.5	1-7/8	44-48	1212	780	85	120	630	750	890	
RAGNBL3120	120	60	2	50-55	1327	880	100	140	740	860	1200	
RAGNBL3150	150	75	2-1/2	60-70	1427	930	113	160	760	910	1530	
RAGNBL3200	200	100	3	75-85	1630	1080	135	170	870	1060	2285	
RAGNBL3250	250	125	3-1/2	88-93	1785	1190	145	190	970	1170	3015	



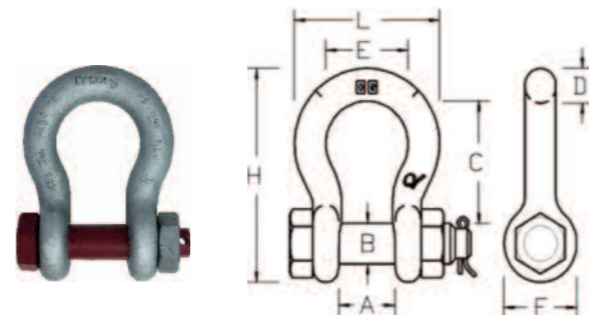
Shackles



6.01 Crosby® G2130 Bolt Type Anchor Shackles

Part no.	Nominal size inch	Weight (each) kg	Working load limit *ton	Dimensions mm									Tolerance +/-	
				A	B	C	D	E	F	H	L	N	C	A
SC1BBN	3/8	0.15	1	16.8	11.2	36.6	9.65	26.2	23.1	63	45.2	9.65	3.3	1.5
SC1.5BBN	7/16	0.22	1-1/2	19.1	12.7	42.9	11.2	29.5	26.9	74	51.5	11.2	3.3	1.5
SC2BBN	1/2	0.36	2	20.6	16	47.8	12.7	33.3	30.2	83.5	58.5	12.7	3.3	1.5
SC3.25BBN	5/8	0.62	3-1/4	26.9	19.1	60.5	16	42.9	38.1	106	74.5	17.5	6.35	1.5
SC4.75BBN	3/4	1.23	4-3/4	31.8	22.4	71.5	19.1	51	46	1236	89	20.6	6.35	1.5
SC6.5BBN	7/8	1.79	6-1/2	36.6	25.4	84	22.4	58	53	148	102	24.6	6.35	1.5
SC8.5BBN	1	2.28	8-1/2	42.9	28.7	95.5	25.4	68.5	60.5	167	119	26.9	6.35	1.5
SC9.5BBN	1-1/8	3.75	9-1/2	46	31.8	108	28.7	74	68.5	190	131	31.8	6.35	1.5
SC12BBN	1-1/4	5.31	12	51.5	35.1	119	31.8	82.5	76	210	146	35.1	6.35	1.5
SC13.5BBN	1-3/8	7.18	13-1/2	57	38.1	133	35.1	92	84	233	162	38.1	6.35	3.3
SC17BBN	1-1/2	8.62	17	60.5	41.4	146	38.1	98.5	92	254	175	41.1	6.35	3.3
SC25BBN	1-3/4	15.4	25	73	51	178	44.5	127	106	313	225	57	6.35	3.3
SC35BBN	2	23.7	35	82.5	57	197	51	146	122	348	253	61	6.35	3.3

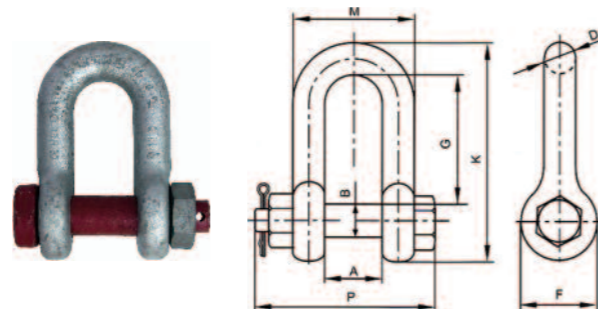
*Maximum proof load is 2 times the working load limit. Minimum ultimate strength is 6 times the working load.



6.02 Crosby® G2150 Bolt Type Chain Shackles

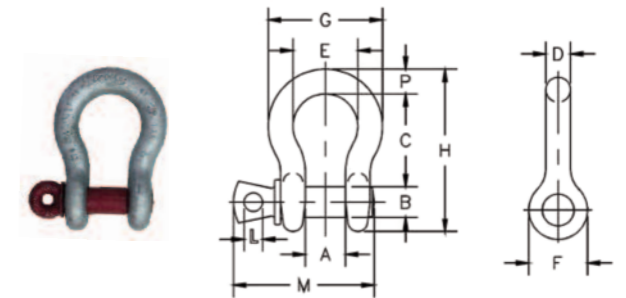
Part no.	Nominal size inch	Weight (each) kg	Working load limit *ton	Dimensions mm									Tolerance +/-	
				A	B	D	F	G	K	M	P	R	G	A
SC2DBN	1/2	0.34	2	20.6	16	12.7	30.2	41.4	77	46	71	12.7	3.3	1.5
SC3.25DBN	5/8	0.67	3-1/4	26.9	19.1	16	38.1	51	95.5	58.5	89.5	16	3.3	1.5
SC4.75DBN	3/4	1.14	4-3/4	31.8	22.4	19.1	46	60.5	115	70	103	20.6	6.35	1.5
SC6.5DBN	7/8	1.74	6-1/2	36.6	25.4	22.4	53	71.5	135	81	120	24.6	6.35	1.5
SC8.5DBN	1	2.52	8-1/2	42.9	28.7	25.4	60.5	81	151	93.5	135	25.4	6.35	1.5
SC9.5DBN	1-1/8	3.45	9-1/2	46	31.8	28.7	68.5	91	172	103	150	31.8	6.35	1.5
SC12DBN	1-1/4	4.9	12	51.5	35.1	31.8	76	100	191	115	165	35.1	6.35	1.5
SC13.5DBN	1-3/8	6.24	13-1/2	57	38.1	35.1	84	111	210	127	183	38.1	6.35	3.3
SC17DBN	1-1/2	8.39	17	60.5	41.4	38.1	92	121	230	137	196	41.1	6.35	3.3

*Maximum proof load is 2 times the working load limit. Minimum ultimate strength is 6 times the working load.



6.03 Crosby® G209 Screw Pin Anchor Shackles

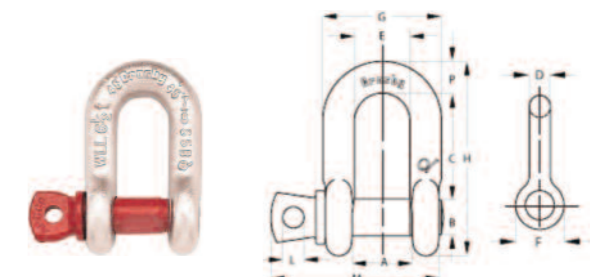
Part no.	Nominal size inch	Weight (each) kg	Working load limit *ton	Dimensions mm											Tolerance +/-	
				A	B	C	D	E	F	G	H	L	M	P	C	A
SC1BSP	3/8	0.14	1	16.8	11.2	36.6	9.65	26.2	23.1	45.2	63	6.35	51.5	9.65	3.3	1.5
SC1.5BSP	7/16	0.17	1-1/2	19.1	12.7	42.9	11.2	29.5	26.9	51.5	74	7.85	60.5	11.2	3.3	1.5
SC2BSP	1/2	0.33	2	20.6	16	47.8	12.7	33.3	30.2	58.5	83.5	9.65	68.5	12.7	3.3	1.5
SC3.25BSP	5/8	0.62	3-1/4	26.9	19.1	60.5	16	42.9	38.1	74.5	106	11.2	85	17.5	6.35	1.5
SC4.75BSP	3/4	1.07	4-3/4	31.8	22.4	71.5	19.1	51	46	89	126	12.7	101	20.6	6.35	1.5
SC6.5BSP	7/8	1.64	6-1/2	36.6	25.4	84	22.4	58	53	102	148	12.7	114	24.6	6.35	1.5
SC8.5BSP	1	2.28	8-1/2	42.9	28.7	95.5	25.4	68.5	60.5	119	167	14.2	129	26.9	6.35	1.5
SC9.5BSP	1-1/8	3.36	9-1/2	46	31.8	108	29.5	74	68.5	131	190	16	142	31.8	6.35	1.5
SC12BSP	1-1/4	4.31	12	51.5	35.1	119	32.8	82.5	76	146	210	17.5	156	35.1	6.35	1.5
SC13.5BSP	1-3/8	6.14	13-1/2	57	38.1	133	36.1	92	84	162	233	19.1	174	38.1	6.35	3.3
SC17BSP	1-1/2	7.8	17	60.5	41.4	146	39.1	98.5	92	175	254	20.6	187	41.1	6.35	3.3



6.04 Crosby® G210 Screw Pin Chain Shackles

Part no.	Nominal size inch	Weight (each) kg	Working load limit *ton	Dimensions mm											Tolerance +/-	
				A	B	C	D	E	F	G	K	L	M	G	A	
SC2DSP	1/2	0.27	2	20.6	16	12.7	12.7	46	30.2	41.4	77	9.65	68.5	3.3	1.5	
SC3.25DSP	5/8	0.57	3-1/4	26.9	19.1	15.7	16	58.5	38.1	51	95.5	11.2	85	3.3	1.5	
SC4.75DSP	3/4	1.2	4-3/4	31.8	22.4	20.6	19.1	70	46	60.5	115	12.7	101	6.35	1.5	
SC6.5DSP	7/8	1.43	6-1/2	36.6	25.4	24.6	22.4	81	53	71.5	135	12.7	114	6.35	1.5	
SC8.5DSP	1	2.15	8-1/2	42.9	28.7	25.4	25.4	93.5	60.5	81	151	14.2	129	6.35	1.5	
SC9.5DSP	1-1/8	3.06	9-1/2	46	31.8	31.8	28.7	103	68.5	91	172	16	142	6.35	1.5	
SC12DSP	1-1/4	4.11	12	51.5	35.1	35.1	31.8	115	76	100	191	17.5	156	6.35	3.3	
SC13.5DSP	1-3/8	5.28	13-1/2	57	38.1	38.1	35.1	127	84	111	210	19.1	174	6.35	3.3	
SC17DSP	1-1/2	7.23	17	60.5	41.4	41.1	38.1	137	92	121	230	20.6	187	6.35	3.3	

*Maximum proof load is 2 times the working load limit. Minimum ultimate strength is 6 times the working load.

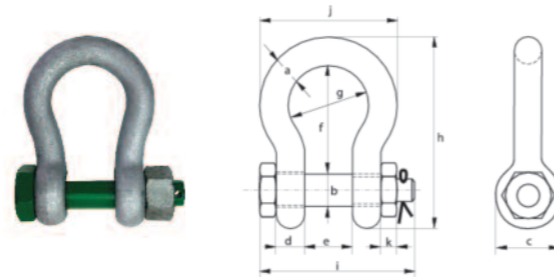


6.05 Green Pin® G4163 Standard Shackles

Bow shackles with safety bolt

Part no.	Weight (each) kg	WLL ton	Diameter Bow - a mm	Diameter Pin - b mm	Diameter Eye - c mm	Width Eye - d mm	Width Inside - e mm	Length Inside - f mm	Width Bow - g mm	Length h mm	Length Bolt - i mm	Width j mm	Thickness Nut - k mm
SVB1BBN	0.16	1	10	11	22.5	10	17	36.5	26	63.5	60	46	8
SVB1.5BBN	0.22	1.5	11	13	26.5	11	19	43	29	74	67	51	11
SVB2BBN	0.42	2	13.5	16	34	13	22	51	32	89	82	58	13
SVB3.25BBN	0.74	3.25	16	19	40	16	27	64	43	110	98	75	17
SVB4.75BBN	1.18	4.75	19	22	46	19	31	76	51	129	114	89	19
SVB6.5BBN	1.77	6.5	22	25	52	22	36	83	58	144	130	102	22
SVB8.5BBN	2.58	8.5	25	28	59	25	43	95	68	164	150	118	25
SVB9.5BBN	3.66	9.5	28	32	66	28	47	108	75	185	166	131	27
SVB12BBN	4.91	12	32	35	72	32	51	115	83	201	178	147	30
SVB13.5BBN	6.54	13.5	35	38	80	35	57	133	92	227	197	162	33
SVB17BBN	8.19	17	38	42	88	38	60	146	99	249	202	175	19
SVB25BBN	14.22	25	45	50	103	45	74	178	126	300	249	216	23

MBL equals 6 x WLL.

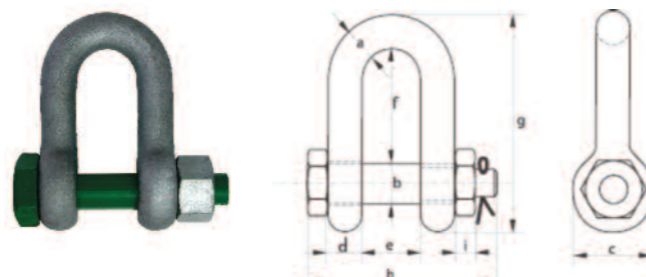


6.06 Green Pin® G4153 Standard Shackles

Dee shackles with safety bolt

Part no.	Weight (each) kg	WLL ton	Diameter Bow - a mm	Diameter Pin - b mm	Diameter Eye - c mm	Width Eye - d mm	Width Inside - e mm	Length Inside - f mm	Length g mm	Length Bolt - h mm	Thickness Nut - i mm
SVB2DBN	0.39	2	13.5	16	34	13	22	43	81	82	13
SVB3.25DBN	0.67	3.25	16	19	40	16	27	51	97	98	17
SVB4.75DBN	1.08	4.75	19	22	46	19	31	59	112	114	19
SVB6.5DBN	1.66	6.5	22	25	52	22	36	73	134	130	22
SVB8.5DBN	2.46	8.5	25	28	59	25	43	85	154	150	25
SVB9.5DBN	3.4	9.5	28	32	66	28	47	90	167	166	27
SVB12DBN	4.51	12	32	35	72	32	51	94	180	178	30
SVB13.5DBN	6.1	13.5	35	38	80	35	57	115	209	197	33
SVB17DBN	7.63	17	38	42	88	38	60	127	230	202	19

MBL equals 6 x WLL.

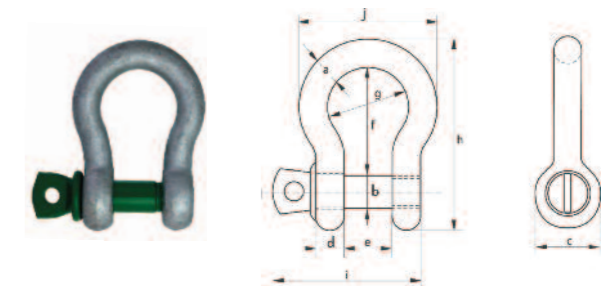


6.07 Green Pin® G4161 Standard Shackles

Bow shackles with screw collar pin

Part no.	Weight (each) kg	WLL ton	Diameter Bow - a mm	Diameter Pin - b mm	Diameter Eye - c mm	Width Eye - d mm	Width Inside - e mm	Length Inside - f mm	Width Bow - g mm	Length h mm	Length Bolt - i mm	Width j mm
SVB1BSP	0.14	1	10	11	22.5	10	17	36.5	26	63.5	54	46
SVB1.5BSP	0.19	1.5	11	13	26.5	11	19	43	29	74	59.5	51
SVB2BSP	0.36	2	13.5	16	34	13	22	51	32	89	73	58
SVB3.25BSP	0.63	3.25	16	19	40	16	27	64	43	110	89	75
SVB4.75BSP	1.01	4.75	19	22	46	19	31	76	51	129	103	89
SVB6.5BSP	1.5	6.5	22	25	52	22	36	83	58	144	119	102
SVB8.5BSP	2.21	8.5	25	28	59	25	43	95	68	164	137	118
SVB9.5BSP	3.16	9.5	28	32	66	28	47	108	75	185	153	131
SVB12BSP	4.31	12	32	35	72	32	51	115	83	201	170	147
SVB13.5BSP	5.55	13.5	35	38	80	35	57	133	92	227	186	162
SVB17BSP	7.43	17	38	42	88	38	60	146	99	249	203	175

MBL equals 6 x WLL.

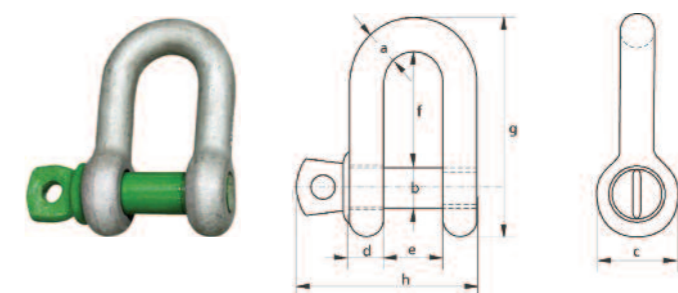


6.08 Green Pin® G4151 Standard Shackles

Dee shackles with screw collar pin

Part no.	Weight (each) kg	WLL ton	Diameter Bow - a mm	Diameter Pin - b mm	Diameter Eye - c mm	Width Eye - d mm	Width Inside - e mm	Length Inside - f mm	Length g mm	Length Bolt - h mm
SVB1DSP	0.14	1	10	11	22.5	10	17	32	59	54
SVB1.5DSP	0.19	1.5	11	13	26.5	11	19	37	68	59.5
SVB2DSP	0.32	2	13.5	16	34	13	22	43	81	73
SVB3.25DSP	0.54	3.25	16	19	40	16	27	51	97	89
SVB4.75DSP	0.87	4.75	19	22	46	19	31	59	112	103
SVB6.5DSP	1.34	6.5	22	25	52	22	36	73	134	119
SVB8.5DSP	2.08	8.5	25	28	59	25	43	85	154	137
SVB9.5DSP	2.77	9.5	28	32	66	28	47	90	167	153
SVB12DSP	3.72	12	32	35	72	32	51	94	180	170
SVB13.5DSP	5.14	13.5	35	38	80	35	57	115	209	186
SVB17DSP	6.85	17	38	42	88	38	60	127	230	203

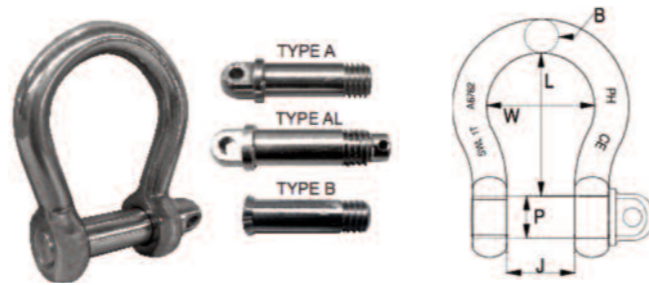
MBL equals 6 x WLL.



6.09 High Tensile Stainless Steel Bow Shackles

Pin styles and product numbers			Dimensions (mm) and WLL					
A type pin	AL type pin	B type pin	WLL t	Pin dia P	Body dia B	Jaw gap J	Inside bow W	Inside L
SP0.8BSP	SP0.8BSPL	SP0.8BCSP	0.8	10	8	16	24	32
SP1.5BSP	SP1.5BSPL	SP1.5BCSP	1.5	12.7	10	20	30	40
SP2.5BSP	SP2.5BSPL	SP2.5BCSP	2.5	16	12.7	25	38	50
SP4BSP	SP5BSPL	SP4BCSP	4	19	16	32	48	64
SP5.5BSP	SP5.5BSPL	SP5.5BCSP	5.5	22.2	19	38	57	76
SP7.5BSP	SP7.5BSPL	SP7.5BCSP	7.5	25.4	22.2	44	66	88
SP9BSP	SP9BSPL	SP9BCSP	9	28.6	25.4	51	76	102

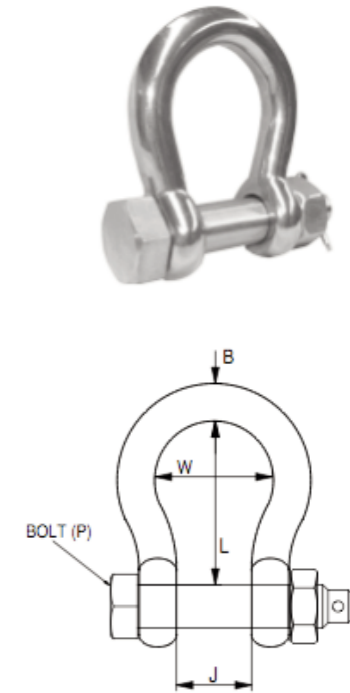
Factor of safety 6:1.



6.11 High Corrosion Resistance Stainless Steel Bow Shackles with Safety Pin

Product numbers	Dimensions (mm) and WLL					
E type pin	WLL kg	Bolt size P	Body dia B	Jaw gap J	Inside bow W	Inside L
SP04B	400	M8 Bolt	8	16	25	35
SP06B	600	M10 Bolt	9.5	19	28	38
SP08B	800	M12 Bolt	11	22	33	46
SP10B	1000	M12 Bolt	12.7	26	38	52
SP15B	1500	M16 Bolt	14.3	29	43	60
SP25B	2500	M20 Bolt	16	32	50	68
SP30B	3000	M22 Bolt	19	38	58	76
SP40B	4000	M24 Bolt	22	44	66	88

Factor of safety 6:1.



6.10 High Tensile Stainless Steel Bow Shackles

Pin styles and product numbers			Dimensions (mm) and WLL				
A type pin	AL type pin	B type pin	WLL t	Pin dia P	Body dia B	Jaw gap J	Inside L
SP1DSP	SP1DSPL	SP1DCSP	1	10	8	16	32
SP2DSP	SP2DSPL	SP2DCSP	2	12.7	10	20	40
SP3DSP	SP3DSPL	SP3DCSP	3	16	12.7	25	50
SP5DSP	SP5DSPL	SP5DCSP	5	19	16	32	64
SP7DSP	SP7DSPL	SP7DCSP	7	22.2	19	38	76
SP9DSP	SP9DSPL	SP9DCSP	9	25.4	22.2	44	88

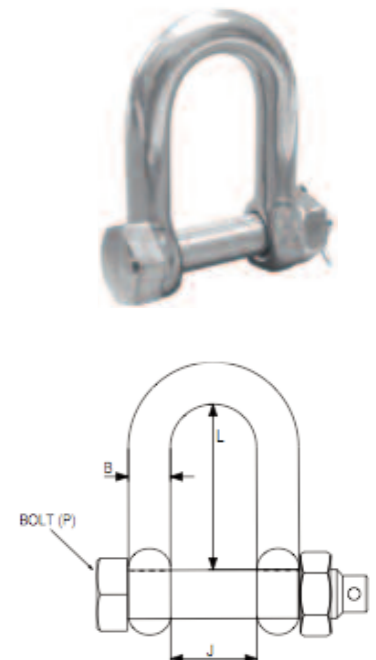
Factor of safety 6:1.



6.12 High Corrosion Resistance Stainless Steel D Shackles with Safety Pin

Product numbers	Dimensions (mm) and WLL				
E type pin	WLL kg	Bolt size P	Body dia B	Jaw gap J	Inside L
SP05D	500	M8 Bolt	8	16	32
SP08D	800	M10 Bolt	9.5	19	38
SP10D	1000	M12 Bolt	11	22	44
SP12D	1250	M12 Bolt	12.7	26	52
SP18D	1800	M16 Bolt	14.3	29	58
SP28D	2800	M20 Bolt	16	32	64
SP33D	3300	M22 Bolt	19	38	76
SP45D	4500	M24 Bolt	22	44	88

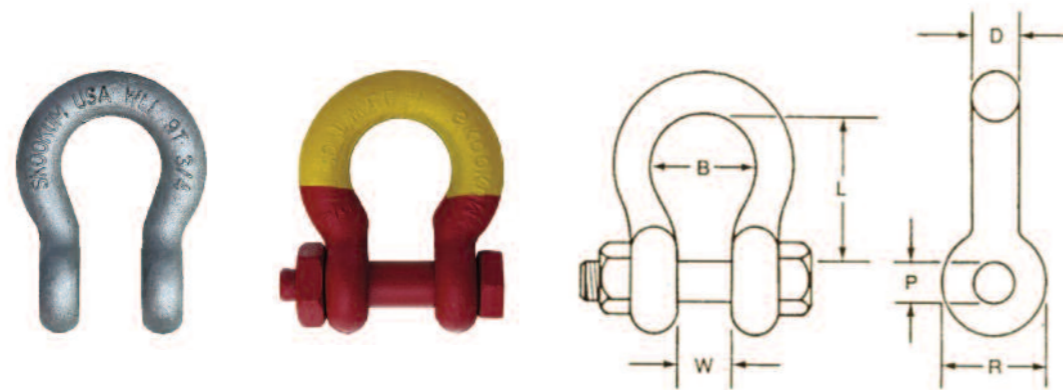
Factor of safety 6:1.



6.13 Skookum Shackle #320

Part no.	Dimensions and WLL							
	Size inch	WLL *ton	Bolt size P (mm)	Body dia D	Jaw gap W	Inside bow B	Inside L (mm)	
SS5BBN	1/2	5	16	16	22.5	35	51	
SS7BBN	5/8	7	19	19	27.5	44.5	64	
SS9BBN	3/4	9	22	22	33	51.5	73.5	
SS7B	5/8	7	19	19	27.5	44.5	64	Galvanised and drilled to fit 20mm pin
SS9B	3/4	9	22	22	33	51.5	73.5	Galvanised and drilled to fit 20mm pin

*SF 5:1



Fibre & Wire Rope